

FUSO **CANTER**

4x2 Rigid | 120 ps | 8.9 Ton GVW




GROWING. TOGETHER.

FUSO

FUSO MASTER MOTORS(PVT.)LTD.
UAN: 111-MASTER(111-627-837)

The Fuel Efficient Power-Loader from Japan

FUSO CANTER

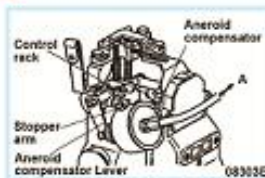
KEY FEATURES

Proficient Engine

High output at low displacement.



4D34-2A Diesel 3907cc
89 Kw (120 PS) / 3200 rpm
295Nm (30 kgf-m) / 1800 rpm



Altitude Fuel Compensator

Automatically optimizes the quantity of fuel injected at high altitudes where the air is thin and thus give additional fuel saving at high altitude.

Rigid Cab

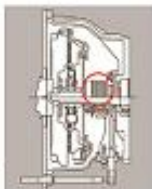
The 'DOORWELL' structural frame, side door beam, reinforced cab floor and box frame provides a rigid cab structure that protects the crew in case of a collision.

In-dash Gearshift, a world first in cab-over truck. The In-dash Gearshift is ideally positioned alongside the steering wheel for crisp and precise shifting.



Aluminium Pot-type Case Transmission

provides quiet operation and efficient heat dissipation along with extended durability and reliability



Direct Power Cylinder Clutch makes clutch work easier while also enhances durability.



Collapsible and Tilting Power Steering makes steering an effortless task. The urethane foam of the steering wheel deforms to absorb impact energy thereby reducing the potential for injury to the chest



SPECIFICATIONS*

PERFORMANCE

Max. Speed 115 km / hr.
Max. Gradeability 33%

ENGINE

Model MITSUBISHI FUSO 4D34-2A
Type 4 stroke-cycle, water cooled direct injection diesel engine
Bore x Stroke 104 mm x 115 mm
Max. Output 120 PS @ 3200 rpm
Max. Torque 30 kgf.m @ 1800 rpm
Displacement 3907 cc

CLUTCH

Type Hydraulic control, diaphragm spring, single dry plate
Size 300 mm

TRANSMISSION

Type	5 Forward + 1 Reverse OD Transmission, 2nd-5th Synchronesh			
Gear Shift Lever	Joystick type (in dashboard)			
Ratios	1st	5.380	5th	0.722
	2nd	3.028	Reverse	5.380
	3rd	1.700	Final Gear Ratio	6.166
	4th	1.000		

AXLE

Front Reverse Elliot, "I" beam
Rear Full floating type

BRAKES

Service Hydraulic with vacuum servo assistance, dual circuit
Parking Internal expanding type on propeller shaft at rear of transmission
Exhaust Vacuum operated, butterfly valve type

STEERING

Type Ball-nut type with integral type hydraulic power booster.
Telescopic and tilt steering column with steering lock

SUSPENSION

Type (Front & Rear) Semi - elliptic, laminated leaf springs, hydraulic double acting telescopic type shock absorbers on front & rear axles

TYRE

Size 7.50 - 16 -14 PR
No. of Studs 6
No. of Tires 7 including 1 spare tire

FUEL TANK

Capacity 100 Liters

ELECTRICAL SYSTEM

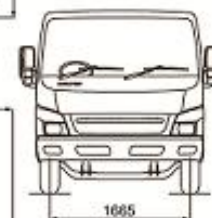
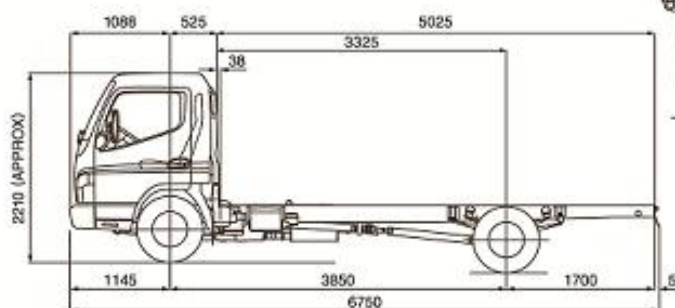
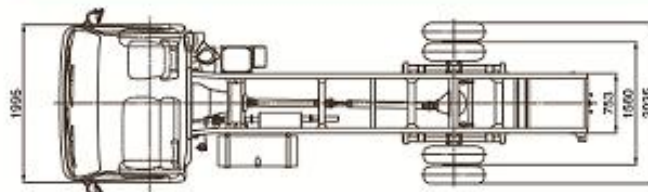
Battery 2 x 12 Volt, 65 AH
Generator 24 Volt, 50 Amp.

WEIGHT

Gross Vehicle Weight kg 8900
Kerb Weight kg 2320

DIMENSIONS

Wheelbase	mm	3850	Ground Clearance	mm	210
Overall Length	mm	6750	Cab to Rear Axle	mm	3325
Overall Width	mm	2035	Cab to End of Frame	mm	5025
Overall Height Approx.	mm	2210	Front Overhang	mm	1145
Tread Front	mm	1665	Rear Overhang	mm	1700
Tread Rear	mm	1560			



CAB

Tilt type with torsion bar, all steel welded construction

*Specifications are with normal manufacturing allowances and tolerances and are subject to change without prior notice due to our on-going research and development program or to meet local conditions and Government requirements. Standard product will be delivered without Superstructure. Original product may vary from the one presented in this flyer.

APPLICATIONS



Cargo



Tanker



Garbage Collector



Fire Fighting Truck



Cargo with Crane



Van



Dump Truck



Troop Truck

FUSO MASTER MOTORS (PVT.) LTD.

Marketing & Sales Offices: Karachi, Lahore, Islamabad
UAN: 111-MASTER (111-627-837)