

# M500

RELIABLE AND  
MOST FUEL EFFICIENT

Aumark M-500 is designed for meeting the Pakistani users' pursuit of efficient and hassle-free logistics. This world class truck is designed for vast special applications\* including cargo truck, refrigerator truck, dump truck, sanitation truck and aerial cargo.

4x2 Rigid Truck | 172 ps | 18 Ton GVW

POWERED BY



TECHNOLOGY  
LEADING INTO THE FUTURE.



# TECHNOLOGY LEADING INTO THE FUTURE

## SPECIFICATIONS\*

### PERFORMANCE

Max. Speed	80 km / hr.
Max. Gradeability	26%

### ENGINE

Model	Cummins EQB170-20
Type	6-Cylinder, in-line, Turbo charged
Bore x Stroke	102mm x 120mm
Max. Output	172 ps
Max. Torque	57 kgf.m
Displacement	5900 cc
Emission	EURO II

### CLUTCH

Type	Single disc, dry type, diaphragm spring
Size(mm)	Ø395 (15.5")

### TRANSMISSION

Model	Fast 6J70TA			
Type	6 Forward+1 Reverse DD transmission, 2nd-5th Synchronesh			
Ratios	1st	8.690	5th	1.340
	2nd	5.000	6th	1.000
	3rd	2.960	Reverse	8.550
	4th	1.860	Final Gear Ratio	6.166

### AXLE

Front	Reverse Elliot, "I" beam
Rear	Whole banjo type

### BRAKES

Service	Dual circuits pneumatic brake
Parking	Energy-accumulating spring air cut-off brake
Auxiliary	Exhaust brake

### STEERING

Type	Power Steering (mechanical circular ball type)
------	--

### SUSPENSION

Front	Longitudinal laminated leaf springs with hydraulic double acting telescope shock absorbers, semi elliptic
Rear	Longitudinal laminated leaf springs, semi elliptic

### TYRE

Size	10.00-20
No. of Tires	7 including 1 spare tire

### FUEL TANK

Capacity	260 Liters
----------	------------

### ELECTRICAL SYSTEM

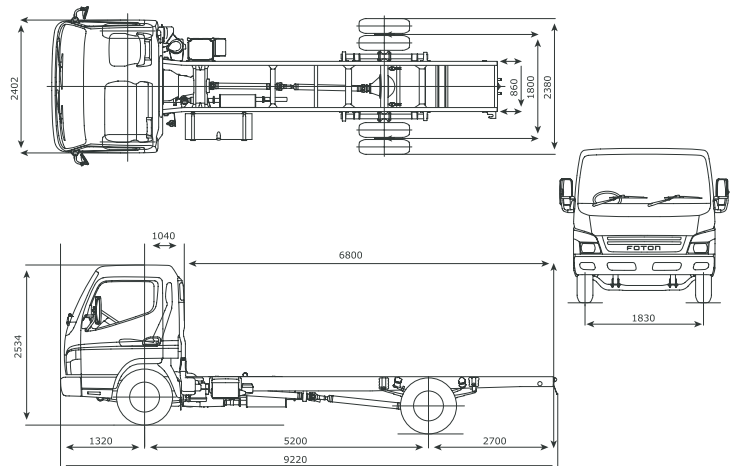
Battery	2 x 12 Volt, 100 AH
Generator	24 Volt

### WEIGHT

Permissible Gross Vehicle Weight	kg	18000
Kerb Weight	kg	4700

### DIMENSIONS

Wheelbase	mm	5200	Ground Clearance	mm	250
Overall Length	mm	9220	Cab to Rear Axle	mm	4100
Overall Width	mm	2402	Cab to End of Frame	mm	6800
Overall Height Approx.	mm	2534	Front Overhang	mm	1320
Tread Front	mm	1830	Rear Overhang	mm	2400
Tread Rear	mm	1800			



### CAB

Tilt type with torsion bar, all steel welded construction

\*Specifications are with normal manufacturing allowances & are subject to change without prior notice due to our on-going research & development program or to meet local & Government requirements. Original product may vary from the one presented in this flyer.

Find our authorized dealerships at :

### KARACHI

• Master Motor Corp. Pvt. Ltd.  
I 68-E, P.E.C.H.S, Khalid Bin Waleed Road, Karachi.  
Tel: 021-111-627-837, 0301-8260219, 0300-2403656

• Master Apollo Motors  
Near PNS Raza, Adjacent Navy Graveyard,  
Dalmia Road, Karachi.  
Tel: 021-99245309

• Master Highway Motors  
Plot #R-21 Quetta Town Scheme-33, Super Highway,  
Karachi  
Tel: 021-34922663, 0300-9201985

### LAHORE

Master Motor Corp. Pvt. Ltd.  
17 Km-Multan Road, Lahore.  
Tel: 042-35456900-8, 0302-8285535, 0301-8284397

### PESHAWAR

Master Peshawar Motors  
Jagra Stop, Main GT Road, Opposite Marwat Filling  
Station, Peshawar Tel: 091-3580098-9

### MULTAN

Master Al Khair Motors.  
Near Daewoo Bus Terminal, Khanewal Road.  
Tel: 061-6781690, 0302-8203025, 0301-8720013

### FAISALABAD

Master Motor Corp. Pvt. Ltd.  
Guttwala Chowk, Sheikhpura Road, Faisalabad  
Tel: 041-8507183, 0301-8224192, 0301-8262988

### ISLAMABAD

• Master Motor Corp. Pvt. Ltd.  
Flat no.415, 4th floor; Rizwan Arcade, Adamjee Road, Saddar, Rawalpindi  
Tel: 051-5120428, 0302-88610052, 0301-8260213

### TARNOL

• Master Capital Motors  
Near PSO Pump Dhoke Paracha, main GT Road, Tarnol  
Tel: 051-2226840, 0300-8560508

### \*APPLICATIONS



Cargo



Tanker



Garbage Collector



Fire Fighting Truck



Cargo with Crane



Van



Dump Truck



Troop Truck