



FOTON

M-600

4 x 2 Rigid Truck | 230 PS | 18 Ton GVW

2 YEAR
WARRANTY /
100,000KM

- PERKINS ENGINE
- TURBO INTERCOOLER
- EURO-II
- ABS / WABCO BRAKE
- AIR SUSPENSION DRIVER SEAT
- CABIN WITH AC

FOTON DAIMLER



MASTER MOTOR CORP. (PVT.) LTD.

SPECIFICATIONS*

PERFORMANCE

Max. Speed	95 km / hr.
Max. Gradeability	41.7 %

ENGINE

Model	Perkins Phaser 230Ti
Type	In line, Six cylinder water cooled four stroke, DI, Turbo charging intercooler diesel engine
Bore x Stroke	100mm x 127mm
Max. Output	230 PS @ 2500rpm
Max. Torque	77.5 kgfm @ 1400-1600 rpm
Displacement	5990 cc
Emission	Euro II

CLUTCH

Type	Single dry type, diaphragm spring
Size	φ 395 mm

TRANSMISSION: 6J85T

Type	6 Forward + 1 Reverse OD transmission, 2nd - 6th Synchronesh			
Ratios	1st	8.015	5th	1.356
	2nd	4.152	6th	1.0
	3rd	2.633	Reverse	8.027
	4th	1.829		

AXLE

Front	Reverse Elliot, "I" beam
Rear	Whole banjo type
Final Gear Ratio	6.166

BRAKES

Service	ABS Brake
Parking	Energy accumulating spring air cut-off brake
Exhaust	The Engine Exhaust Brake

STEERING

Type	Mechanical circular ball type with Power Steering
------	---

SUSPENSION

Type (Front & Rear)	Longitudinal leaf springs with dual acting telescopic shock absorbers
---------------------	---

TYRE

Size	11.00 - 20
No. of Tyres	7 including 1 spare tyre

FUEL TANK

Capacity	200 Liters
----------	------------

ELECTRICAL SYSTEM

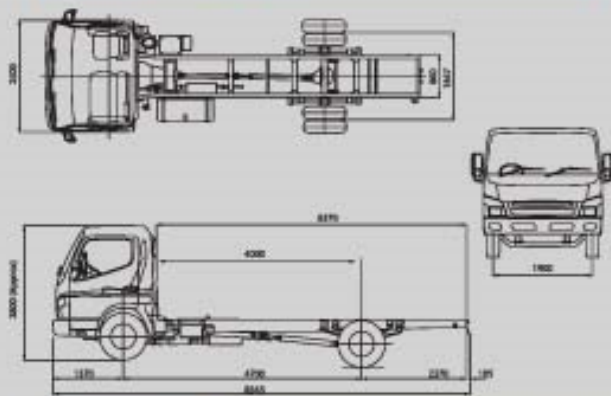
Battery	2 x 12 Volt, 180 Ah
Generator	24 Volt

WEIGHT

Permissible GVW	kg	18000
Kerb Weight	kg	5276

DIMENSIONS

Wheelbase	mm	4700	Ground Clearance	mm	275
Overall Length	mm	8545	Cab to Rear Axle	mm	4000
Overall Width	mm	2500	Cab to End of Frame	mm	6370
Overall Height Approx.	mm	2800	Front Overhang	mm	1370
Tread Front	mm	1900	Rear Overhang	mm	2370
Tread Rear	mm	1847			



CAB

Tilt type with torsion bar, all steel welded construction

Specifications are with normal manufacturing allowances & are subject to change without prior notice due to our on-going research & development program or to meet local & Government requirements. Original product may vary from the one presented in this type.



Durable pneumatic brake with load sensing valve for driving comfort & safety



Large riding space & sedan's interior trim
Power steering with telescopic & tilt steering column



Perkins Engine with TURBO INTER COOLER Euro II
Powerful Economical
Large Torque (Low Speed)

KARACHI

Master Motor Corp. Pvt. Ltd.
168-E, P.E.C.H.S, Khalid Bin Waleed Road, Karachi.
Tel: 021-111-627-837, 0301-8260219, 0300-2403656

Master Apollo Motors

Near PNS Raza, Adjacent Navy Graveyard,
Dalma Road, Karachi.
Tel: 021-99245309

Master Society Motors

87-S, Block - II, P.E.C.H.S, Allama Iqbal Road, Karachi.
Tel: 021-34553058, 021-34537184

LAHORE

Master Motor Corp. Pvt. Ltd.
17 Km-Multan Road, Lahore.
Tel: 042-35456900-8, 0301-8202867, 0301-8461694

MULTAN

Master Al Khair Motors.
Near Daewoo Bus Terminal, Khanewal Road.
Tel: 061-6781690, 0301-8720013

ISLAMABAD

Master Motor Corp. Pvt. Ltd.
Plot # 744-B, Mahrabad, Peshwar Road Rawalpindi.
Tel: 051-54781580, 0301-8260212, 0301-8260213

FAISALABAD

Master Motor Corp. Pvt. Ltd.
Plot # 744-B, Mahrabad, Peshwar Road Rawalpindi.
Tel: 051-54781580, 0301-8260212, 0301-8260213

PESHAWAR

Master Peshawar Motors
Jagra Stop, Main GT Road, Opposite Marwat Filling
Station, Peshawar Tel: 091-3580098-9

SADIQABAD

Master Sadiqabad Motors
K.L.P Road, Sadiqabad, District Rahim Yar Khan.
Tel: 0333-7440732