



M-640/MP-640 | 6x4 | 240 PS | EURO II



- PERKINS ENGINE • TURBO INTERCOOLER • EURO II • ABS/WABCO BRAKES
- AIR CONDITION CABIN • AIR SUSUPENSION DRIVER SEAT



FOTON

Technology Leading into the Future.

MEDIUM & HEAVY DUTY TRUCKS



- Air suspension driver seat
- Durable pneumatic brake with load sensing valve for driving comfort & safety



- Perkins Engine with Turbo Intercooler, Euro II
- Powerful • Economical
- Large Torque (Low Speed)



- Large riding space & sedan's interior trim
- Power steering with telescopic & tilt steering column

KARACHI

• Master Motor Corp. Pvt. Ltd.
I 68-E, P.E.C.H.S, Khalid Bin Waleed Road, Karachi.
Tel: 021-111-627-837, 0301-8260219, 0300-2403656

• Master Apollo Motors
Near PNS Raza, Adjacent Navy Graveyard,
Dalmia Road, Karachi.
Tel: 021-99245309

• Master Highway Motors
Plot #R-21 Quetta Town Scheme-33, Super Highway,
Karachi
Tel: 021-34922663, 0300-9201985,

LAHORE

Master Motor Corp. Pvt. Ltd.
17 Km-Multan Road, Lahore.
Tel: 042-35456900-8, 0302-8285535, 0301-8284397

PESHAWAR

Master Peshawar Motors
Jagra Stop, Main GT Road, Opposite Marwat Filling
Station, Peshawar Tel: 091-3580098-9

MULTAN

Master Al Khair Motors.
Near Daewoo Bus Terminal, Khanewal Road.
Tel: 061-6781690, 0302-8203025, 0301-8720013

FAISALABAD

Master Motor Corp. Pvt. Ltd.
Guttwala Chowk, Sheikhpura Road, Faisalabad
Tel: 041-8507183, 0301-8224192, 0301-8262988

ISLAMABAD

• Master Motor Corp. Pvt. Ltd.
Flat no.415,4th floor;Rizwan Arcade, Adamjee Road,Saddar,Rawalpindi
Tel: 051-5120428, 0302-88610052, 0301-8260213

TARNOL

• Master Capital Motors
Near PSO Pump Dhoke Paracha, main GT Road, Tarnol
Tel: 051-2226840, 0300-8560508



MASTER MOTOR

UAN : 111-MASTER (111 627 837) | feedback@mmcl.com.pk
FOLLOW MASTERMOTOR @ f t i n www.mmcl.com.pk

M-640 | 6x4 Rigid Truck | 240 PS | 32 Tons GVW



SPECIFICATIONS*

PERFORMANCE

Max. Speed 92.5 km / hr.
Max. Gradeability 26.5 %

ENGINE

Type Inline, 4 Stroke, 6 cylinder, water cooled, direct injection, Turbo charging intercooler diesel engine, Euro II

Piston Displacement 5.99 Liter
Bore x Stroke 100mm x 127mm
Max. Output 240 PS @ 2500 rpm
Max. Torque 77.5 Kgf.m @ 1400-1600 rpm

CLUTCH

Type Single, dry type, diaphragm spring
Size 395 mm

TRANSMISSION

Model	8JS105T - FAST Transmission			
Type	8 Forward + 2 Reverse OD transmission			
Ratios	1st	11.26	6th	1.98
	2nd	7.88	7th	1.39
	3rd	5.55	8th	1.00
	4th	3.98	Reverse 1	11.48
	5th	2.83	Reverse 2	2.88
Final Gear Ratio	6.166			

SUSPENSION

Front Longitudinal leaf spring with dual acting telescopic shock absorbers and anti-roll bar.
Rear Longitudinal leaf spring with dual acting telescopic shock absorbers and anti-roll bar.

Front Axle	Brake type	Drum Brakes
	Capacity	6 Tons
Rear Axle	Type	Single Reduction
	Brake type	Drum Brakes
	Capacity	12 Tons + 12 Tons

BRAKES

Service Dual circuit pneumatic brake with **ABS**
Parking Energy-accumulating spring air cut off brake
Auxiliary Brake Engine Exhaust Brake

CAB

Tilt type with torsion bar, all steel welded construction

Driver Seat

Air suspension driver seat

STEERING

Type Power Steering, Ball nut type with integral type hydraulic power booster, Telescopic and tilt steering column with steering lock

TYRE

Size 11.00 R20 (10+1)

FUEL TANK

Capacity 350 Liters Aluminum

ELECTRICAL SYSTEM

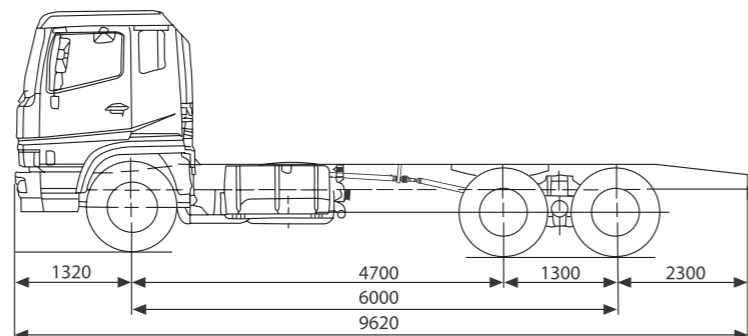
Battery 2 x 12 Volt, 180 Ah
Generator 24 Volt

WEIGHT

Max. GVW kg 32,000

DIMENSIONS

Wheelbase	mm	4700+1300
Overall Length	mm	9620
Overall Width	mm	2470
Overall Height Approx.	mm	2850
Tread Front	mm	1960
Tread Rear	mm	1860
Bed Length	mm	7010
Front Overhang	mm	1320
Rear Overhang	mm	2300



MP-640 | 6x4 Prime Mover | 240 PS | 50 Tons GCW



SPECIFICATIONS*

PERFORMANCE

Max. Speed 95 km / hr.
Max. Gradeability 20 %

ENGINE

Type Inline, 4 Stroke, 6 cylinder, water cooled, direct injection, Turbo charging intercooler diesel engine, Euro II

Piston Displacement 5.99 Liter
Bore x Stroke 100mm x 127mm
Max. Output 240 PS @ 2500 rpm
Max. Torque 77.5 Kgf.m @ 1400-1600 rpm

CLUTCH

Type Single, dry type, diaphragm spring
Size 395 mm

TRANSMISSION

Model	8JS105T - FAST Transmission			
Type	8 Forward + 2 Reverse OD transmission			
Ratios	1st	11.26	6th	1.98
	2nd	7.88	7th	1.39
	3rd	5.55	8th	1.00
	4th	3.98	Reverse 1	11.48
	5th	2.83	Reverse 2	2.88
Final Gear Ratio	5.571			

SUSPENSION

Front Longitudinal leaf spring with dual acting telescopic shock absorbers.
Rear Longitudinal leaf spring with dual acting telescopic shock absorbers.

Front Axle	Brake type	Drum Brakes
	Capacity	6 Tons
Rear Axle	Type	Single Reduction
	Brake type	Drum Brakes
	Capacity	12 Tons + 12 Tons

BRAKES

Service Dual circuit pneumatic brake with **ABS**
Parking Energy-accumulating spring air cut off brake
Auxiliary Brake Engine Exhaust Brake

CAB

Tilt type with torsion bar, all steel welded construction

Driver Seat

Air suspension driver seat

STEERING

Type Power Steering, Ball nut type with integral type hydraulic power booster, Telescopic and tilt steering column with steering lock

TYRE

Size 11.00 R20 (10+1)

FUEL TANK

Capacity 350 Liters Aluminum

ELECTRICAL SYSTEM

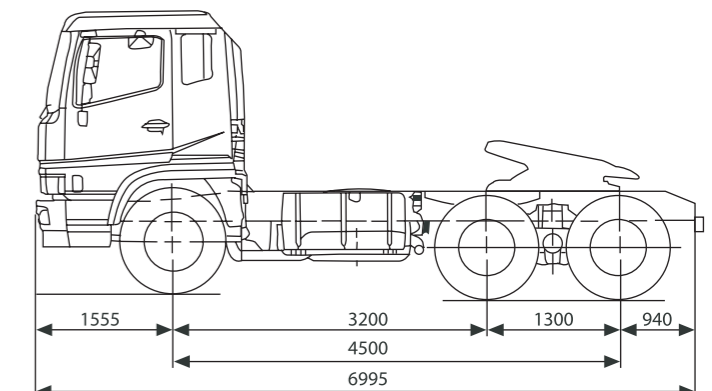
Battery 2 x 12 Volt, 180 Ah
Generator 24 Volt

WEIGHT

Max. GCW kg 50,000

DIMENSIONS

Wheelbase	mm	3200+1300
Overall Length	mm	6995
Overall Width	mm	2410
Overall Height Approx.	mm	2896
Tread Front	mm	1940
Tread Rear	mm	1847



*Specifications are with normal manufacturing allowances & are subject to change without prior notice due to our on-going research & development program or to meet local & Government requirements. Original product may vary from the one presented in this flyer.

*Specifications are with normal manufacturing allowances & are subject to change without prior notice due to our on-going research & development program or to meet local & Government requirements. Original product may vary from the one presented in this flyer.