



FOTON MP 900

6 x 4 Prime Mover | 360 PS | 65 Ton GCW

- CUMMINS ENGINE POWER
- EURO II
- ABS/WABCO BRAKE SYSTEM
- EXHAUST BRAKE
- DOUBLE REDUCTION HUB
- AIR SUSPENSION DRIVER SEAT
- HIGH ROOF CABIN WITH AC & DOUBLE SLEEPER BEDS



MASTER MOTOR CORP. (PVT.) LTD.

WARRANTY
2 YEAR /
100,000KM

SPECIFICATIONS*

PERFORMANCE

| | |
|-------------------|------------|
| Max. Speed | 93km / hr. |
| Max. Gradeability | 29% |

ENGINE

| | |
|-------|---|
| Model | Cummins L36020 |
| Type | In-Line 4 stroke, 6 cylinder, water cooled, direct injection, turbocharged with intercooler diesel engine |

| | |
|---------------------|------------------------------|
| Engine Displacement | 8.9 litres |
| Max. Output | 360 PS @ 2,200 rpm |
| Max. Torque | 150.9 kgfm @ 1300 ~ 1500 rpm |

CLUTCH

| | |
|------|-----------------------------------|
| Type | Single dry type, diaphragm spring |
| Size | 430 mm (17 inch) |

TRANSMISSION

| | |
|-------|--|
| Model | 12JSD160T |
| Type | 12 Forward + 2 Reverse OD transmission |

Ratios

| | | | |
|------------------|-------|------|-------|
| 1st | 15.53 | 7th | 3.48 |
| 2nd | 12.08 | 8th | 2.71 |
| 3rd | 9.39 | 9th | 2.10 |
| 4th | 7.33 | 10th | 1.64 |
| 5th | 5.73 | 11th | 1.28 |
| 6th | 4.46 | 12th | 1.00 |
| Reverse 1 | | | 14.86 |
| Reverse 2 | | | 3.33 |
| Final Gear Ratio | | | 4.8 |

SUSPENSION

| | |
|-------|--|
| Front | Longitudinal leaf spring with dual acting telescopic shock absorbers & Antiroll bar, 10. |
| Rear | Longitudinal main & auxiliary leaf springs with dual acting telescopic shock absorbers & Antiroll bar, 18. |

Front Axle

| | |
|------------|-------------|
| Brake type | Drum brakes |
| Capacity | 9 Tons |

Rear Axle

| | |
|------------|----------------------|
| Type | Double Reduction Hub |
| Brake type | Drum brakes |
| Capacity | 16 Tons + 16 Tons |

*Specifications are with normal manufacturing allowances & are subject to change without prior notice due to our on-going research & development program or to meet local & Government requirements. Original product may vary from the one presented in this flyer. 5th wheel comes as optional item.

BRAKES

| | |
|-----------------|--|
| Service brake | Dual circuit, Pneumatic brakes with ABS |
| Parking brake | Energy-accumulating spring air cut-off brake |
| Auxiliary brake | The Engine Exhaust Brake |

STEERING

| | |
|------|---|
| Type | Power Steering. Ball nut type with integral type hydraulic power booster. Telescopic and tilt steering column with steering lock. |
|------|---|

TYRE

| | |
|------|-------------------|
| Size | 11.00-20 (10 + 1) |
|------|-------------------|

FUEL TANK (Aluminum)

| | |
|----------|------------|
| Capacity | 420 Liters |
|----------|------------|

ELECTRICAL SYSTEM

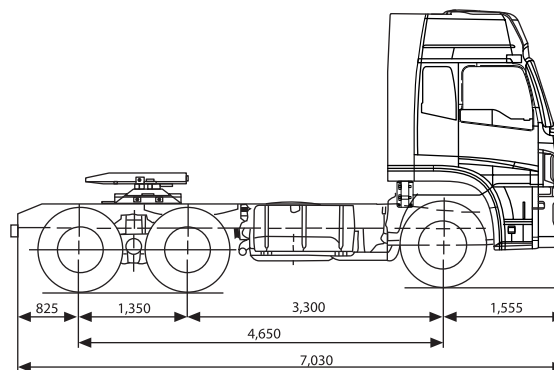
| | |
|-----------|---------------|
| Battery | 2 x12V-180 AH |
| Generator | 24 Volt |

WEIGHT

| | | |
|-------------|----|--------|
| Max. GCW | kg | 65,000 |
| Kerb Weight | kg | 8,840 |

DIMENSIONS

| | | |
|--------------------------|----|-------------|
| Wheelbase | mm | 3300 + 1350 |
| Overall Length | mm | 7030 |
| Overall Width | mm | 2495 |
| Overall Height (Approx.) | mm | 3460 |
| Tread Front | mm | 2005 |
| Tread Rear | mm | 1830 |
| Front Overhang | mm | 1555 |
| Rear Overhang | mm | 825 |



CAB

Construction All steel, Coil Spring Suspension, Hydraulically operated and four - point full floating air bag suspension cab.



1. Large riding space & sedan's interior trim
3. Encircling instrument panel
5. Large storage box
7. Air Suspension Driver Seat

2. Double Cup holder design
4. Adjustable steering wheel
6. Double-deck widened sleeper
8. High Roof Cabin With AC

KARACHI

Master Motor Corp. Pvt. Ltd.
I 68-E, P.E.C.H.S, Khalid Bin Waleed Road, Karachi.
Tel: 021-1111-627-837, 0301-8565748, 0301-8260219

Master Apollo Motors
Near PNS Raza, Adjacent Navy Graveyard,
Dalmia Road, Karachi.
Tel: 021-99245309

Master Society Motors
87-S, Block - II, P.E.C.H.S, Allama Iqbal Road, Karachi.
Tel: 021-34553058, 021-34537184

LAHORE

Master Motor Corp. Pvt. Ltd.
I 7 Km-Multan Road, Lahore.
Tel: 042-35456900-8, 0302-8285535, 0301-8284397

MULTAN

Master Al Khair Motors.
Near Daewoo Bus Terminal, Khanewal Road.
Tel: 061-6781690, 0301-8720013

ISLAMABAD

Master Motor Corp. Pvt. Ltd.
Plot # 744-B, Mahrabad, Peshawar Road Rawalpindi.
Tel: 051-5120428, 0301-8260212, 0301-8260213

FAISALABAD

Master Faisalabad Motors
Gutt wala chowk I 4 km Sheikhpura Road, Faisalabad.
0301-8262988, 0301-8224192

PESHAWAR

Master Peshawar Motors
Jagra Stop, Main GT Road, Opposite Marwat Filling
Station, Peshawar Tel: 091-3580098-9, 0301-8227651

SADIQABAD

Master Sadiqabad Motors
K.L.P Road, Sadiqabad, District Rahim Yar Khan.
Tel: 0333-7440732